

Barrel Cushions and Cushion Inserts for Cable Applications

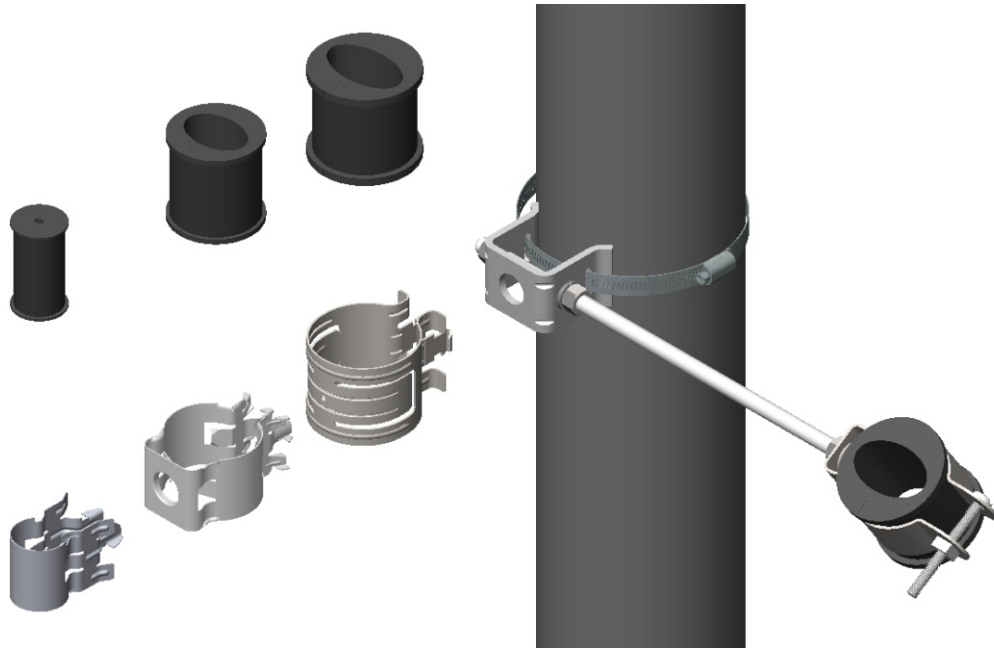
1768 IB A

PRODUCT DESCRIPTION

Barrel Cushions provide versatility in all applications reducing material and installation costs by having multiple holes in a single cushion with a single attachment point. The unique design allows them to be individually installed utilizing Butterfly Hangers or stacked out with Stackable Hangers and Mini Cable Blocks. Barrel Cushions are constructed from UV-resistant EPDM rubber which is durable in extreme temperatures and harsh environmental conditions. Barrel Cushions are available in multiple sizes to accommodate what the industry demands for installation of all of your Fiber, Power, Elliptical, and Coaxial Cable requirements.

CIN Cushion Inserts provide versatility in all applications reducing material and installation costs. The unique design allows them to be individually installed utilizing Butterfly Hangers, and stacked out with Stackable Hangers or Cable Blocks. CIN Cushions are constructed from UV-resistant EPDM rubber which is durable in extreme temperatures and harsh environmental conditions. CIN Cushions are available in multiple sizes to accommodate what the industry demands for installation of all of your Fiber, Power, Elliptical, and Coaxial Cable requirements.

TYPICAL APPLICATIONS



INSERTION DIRECTIONS

1. Insert barrel cushion around cable or cables that are being supported.
2. Install hanger option around barrel cushion and mount entire assembly into place.

